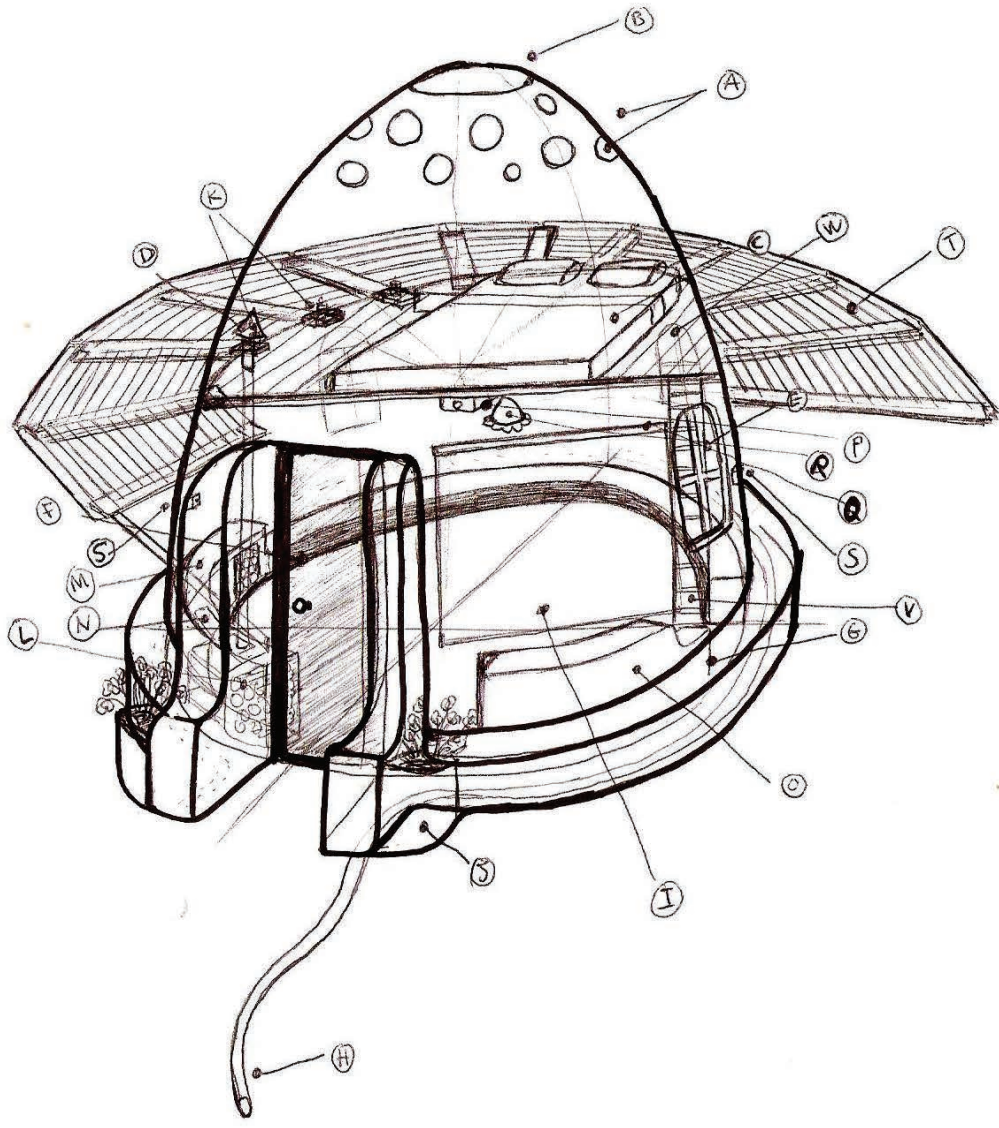


**Live With Earth**  
**Natural Building Team**

Cláudia Martins  
 Hugo Domingos  
 Rodrigo Henriques  
 Rui Vasques  
 Teté Mauro



FROM PROJECT TO REALITY

- A | Light Windows
- B | Sky Window
- C | Bedroom
- D | Chimney
- E | Windows
- F | Door
- G | External Benches
- H | Drenage System
- I | Common Space
- J | Aromatic Garden
- K | Storage
- L | Dry Wood
- M | Mass Heater
- N | Kitchen
- O | Office
- P | Projector
- Q | Projector Screen
- R | General Light
- S | Electric Plugings
- T | Green Roof
- V | Stairs
- W | Mesanine









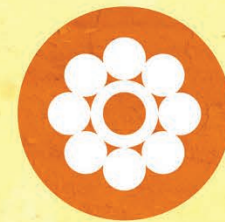
TOMAR 2016











SINTRA 2019







CERCAL 2021











**Associação Live With Earth**

**Avenida Tenente Valadim, nº 17, 2º F,  
ECO CAMPUS - Torres Vedras  
Green Leaf & Green Destinations**

**livewithearth@gmail.com  
+351 912408691**

**www.livewithearth.org  
Facebook / Instagram / Youtube**

**Follow also our brands:  
BUILDING NATURE  
ECO CAMP**